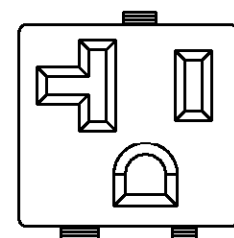
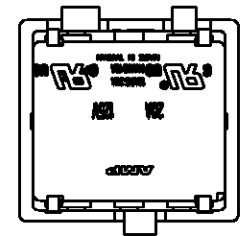
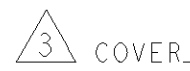
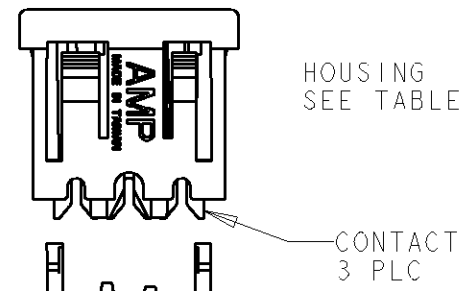
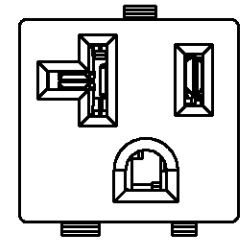


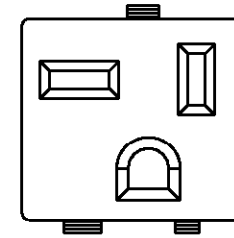
THIS DRAWING IS UNPUBLISHED. RELEASED FOR PUBLICATION 20
 © COPYRIGHT 20 BY TYCO ELECTRONICS CORPORATION. ALL RIGHTS RESERVED.

- MATERIAL, HOUSING: NYLON, COLOR - SEE TABLE.
COVER: NYLON, BLACK.
CONTACTS: BRASS.
- CONTACTS TO ACCEPT 12 AWG AND 14 AWG SOLID COPPER WIRE.

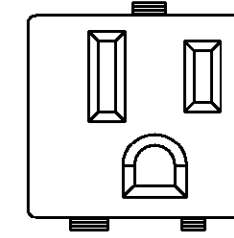
- 3 COVER PACKAGED UNASSEMBLED.
- 4 SNAP IN FEATURE ACCOMODATES 0.76-1.78 PANEL THICKNESS ONLY.



TYPE A
15/20 A



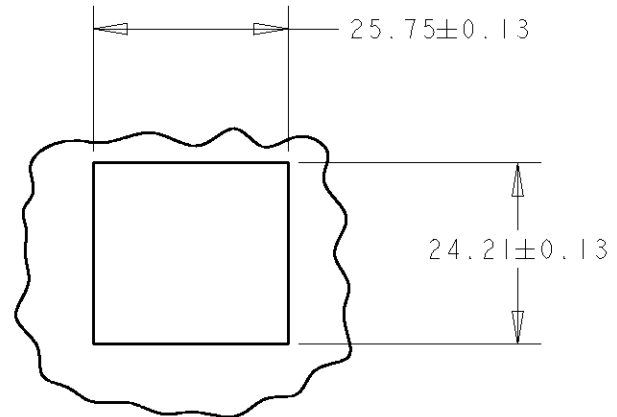
TYPE B
20 A ONLY



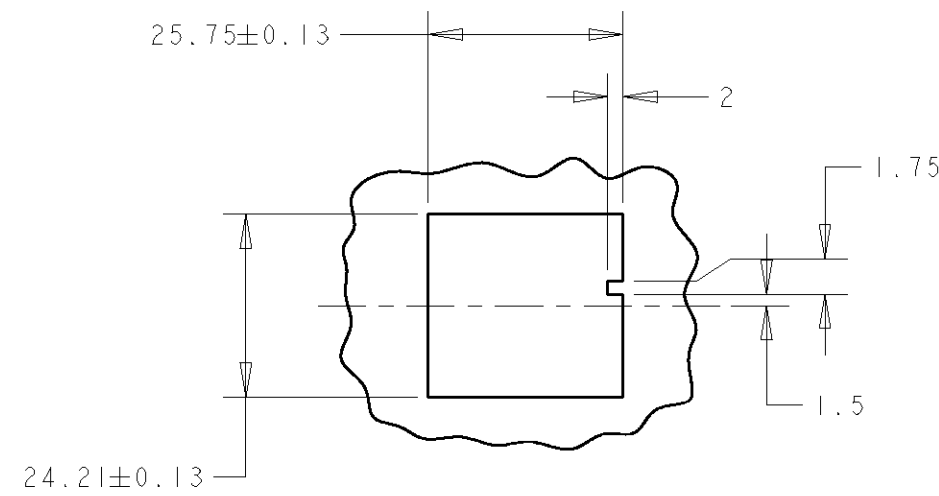
TYPE C
15 A ONLY

INTERFACE TYPE

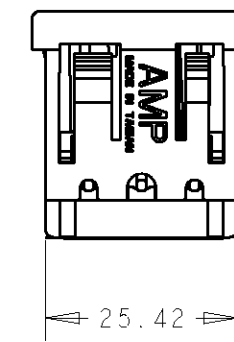
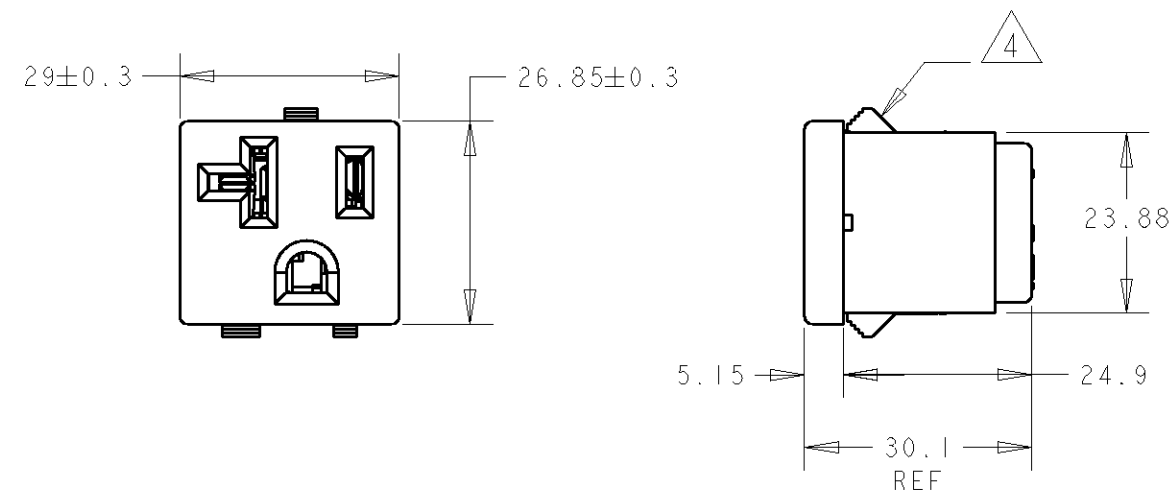
PRELIMINARY - NOT FOR PRODUCTION	ORANGE	C	1445199-9
PRELIMINARY - NOT FOR PRODUCTION	ORANGE	B	1445199-8
	ORANGE	A	1445199-7
PRELIMINARY - NOT FOR PRODUCTION	BLUE	A	1445199-6
PRELIMINARY - NOT FOR PRODUCTION	RED	A	1445199-5
	GREY	A	1445199-4
	BLACK	C	1445199-3
	BLACK	B	1445199-2
	BLACK	A	1445199-1
ASSEMBLY COLOR	ASSEMBLY TYPE	PART NUMBER	



RECOMMENDED PANEL CUTOUT WITHOUT ORIENTATION FEATURE



RECOMMENDED PANEL CUTOUT WITH ORIENTATION FEATURE



ASSEMBLED VIEW

LOC	DIST	REVISIONS					
		P	LTR	DESCRIPTION	DATE	DWN	APVD
CM	00		B	REVISED PER 063B-0981-03	10-FEB-04	KW	DB
			C	REVISED PER 063B-0101-04	10-FEB-04	KW	DB
			D	REVISED PER 063B-1064-04	07DEC04	KW	DB

THIS DRAWING IS A CONTROLLED DOCUMENT FOR TYCO ELECTRONICS CORPORATION IT IS SUBJECT TO CHANGE AND THE CONTROLLING ENGINEERING ORGANIZATION SHOULD BE CONTACTED FOR THE LATEST REVISION.		DWN B. HAYMAKER 15NOV2000 CHK K. KETELSIEGER 15NOV2000 APVD K. KETELSIEGER 15NOV2000	tyco Electronics Tyco Electronics Harrisburg, PA 17105-3608
DIMENSIONS: mm 		TOLERANCES UNLESS OTHERWISE SPECIFIED: 0 PLC ± 1 PLC ± 2 PLC ±.013 3 PLC ±.013 4 PLC ± ANGLES ± FINISH -	NAME: 20A CONVENIENCE OUTLET ASSEMBLY KIT, WITH COVER SIZE: A2 CAGE CODE: 00779 DRAWING NO: 1445199 RESTRICTED TO: -
MATERIAL: -		PRODUCT SPEC: - APPLICATION SPEC: - WEIGHT: -	CUSTOMER DRAWING SCALE: 1:1 SHEET: 1 OF 1 REV: D